

ASB200-908

SBC Fanless System

Slim Type System for IBASE IB908 3.5" Disk-Size SBC



Features

- Fanless system supports IBASE IB908 3.5-inch Disk-Size SBC
- Onboard 4th Gen. Intel® Core™ i7 U-series processor
- 2x DDR3L-1600 SO-DIMM, Max. 16GB
- iSMART- for auto-scheduler and power resume
- Supports 1x Mini PCI-E (full-size)
- Supports 1x 2.5" SATA HDD
- Wall mount kit included
- 12V~24V DC wide-range power input

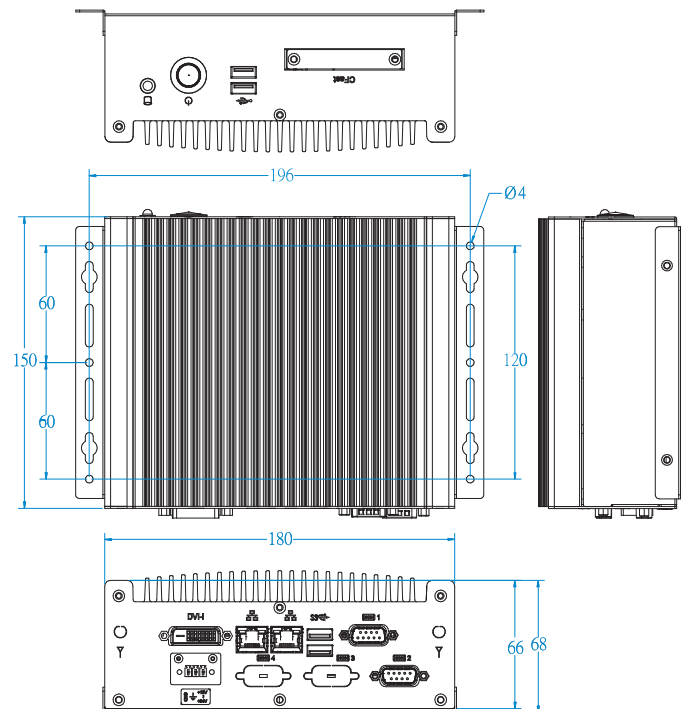
Specifications

System Mainboard	IB908AF-4650 / IB908AF-4300
CPU Type	4th Generation Intel® Core™ i7 4650U / i5 4300U processor
System Speed	1.7GHz / 1.9GHz
Memory	2x 2GB DDR3L-1600 SO-DIMM Memory, Max.16GB
Construction	Aluminum & steel
Chassis Color	Black
Front Panel External I/O	1x Power button 2x USB 2.0 1x CFast socket 1x HDD LED
Rear Panel External I/O	4x COM (1x RS-232/422/485 + 3x RS-232) 2x USB 3.0 ports 1x DVI-I 2x RJ-45 GbE connector 1x 12V~24V DC-in (terminal block type)
Storage	1x 2.5" HDD or SSD
Power Supply	Optional 60W power adaptor
Mounting	Desktop or wall mount (wall mount kit included) VESA mount for optional
Dimensions	180mm(W) x 150mm(D) x 66mm(H) 7.09" (W) x 5.91" (D) x 2.6" (H)
Operating Temperature	0°C~45°C (32°F~113°F) (With HDD) -10°C~60°C (14°F~140°F) (With SSD)
Storage Temperature	-20°C ~ 80°C (-4°F~176°F)
Relative Humidity	5~90% @ 45°C, (non-condensing)
Vibration	Operating : 0.25Grms / 5~500Hz Non-operating : 1Grms / 5~500Hz
Shock	Operating : 20G / 11ms Non-operating : 40G / 11ms
Certification	CE / LVD / FCC Class B / CCC

Ordering Information

ASB200-908-4650	Fanless chassis with IB908AF-4650, Intel® i7-4650U 1.7GHz CPU, 2x COM, 2x 2GB DDR3L memory, 2.5" 320GB SATA HDD (w/o 60W power adaptor and VESA mount bracket)
ASB200-908-4COM	Fanless chassis with IB908AF-4300, Intel® i5-4300U 1.9GHz CPU, 4x COM (IBD182 COM Mini PCI-E card), 2x 2GB DDR3L memory, 2.5" 320GB SATA HDD (w/o 60W power adaptor and VESA mount bracket)
ASB200-908	Fanless chassis with IB908AF-4300, Intel® i5-4300U 1.9GHz CPU, 2x COM, 2x 2GB DDR3L memory, 2.5" 320GB SATA HDD (w/o 60W power adaptor and VESA mount bracket)

Dimensions and Drawing



Remarks: 1. Specifications are subject to change without prior notice.